

The first remote panel in
the world designed for
media pc and for
enhancement of all
computers

User's manual

Remote 5.25™ Multi Functional Panel

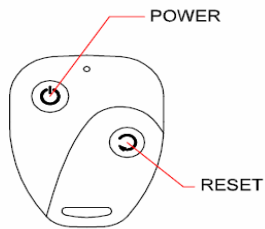
(Ver.1)



USER MANUAL

A. Remote Hand Unit:

POWER: Power On Button Switch
RESET: Reset Button Switch



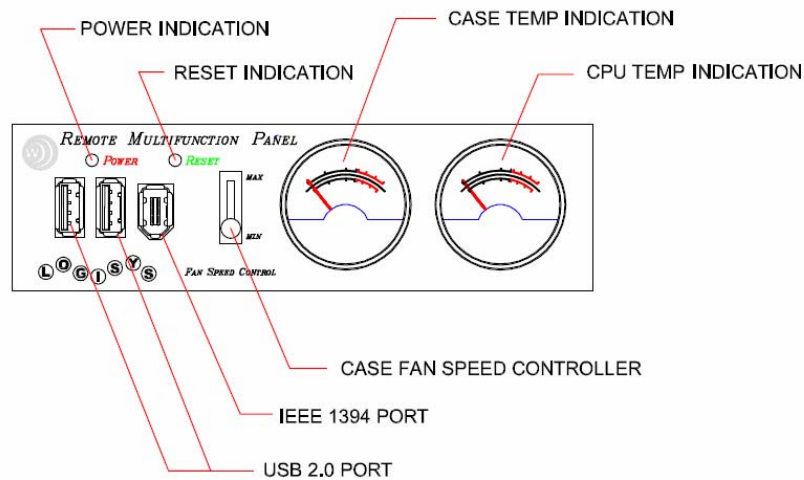
Press the Power button or Reset button, the Red LED should light up. If not, check the battery, replace if necessary.

For support, please contact

support@logisyscomputer.com

B. Receiving Unit

At Receiving Unit, the Power Indicator, Temperature Indicator, Fan Speed Control, USB and Fire Wire IEEE1394 connectors are as follows:-

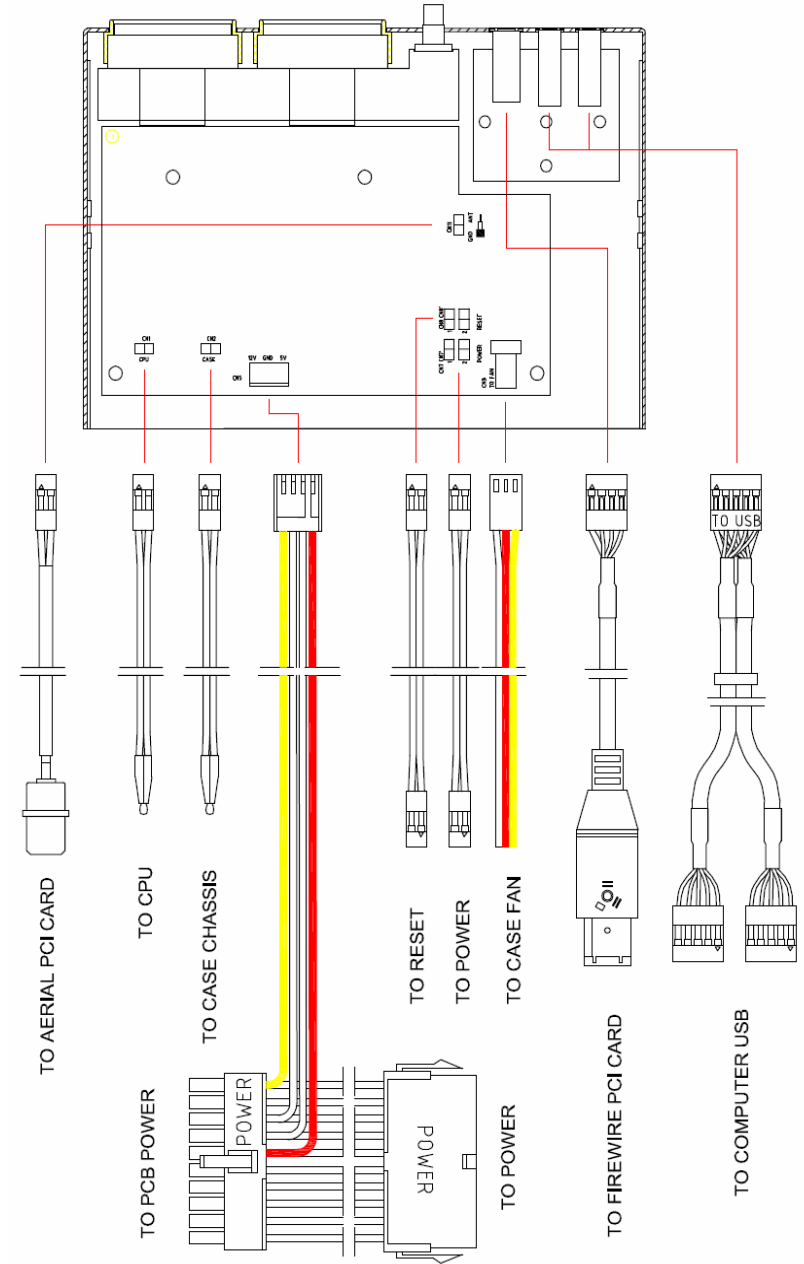


C. Installation:

2. If the effective operating distance becomes shorter, please check the battery of the remote hand unit.

3. All connections must be made correctly and firmly to ensure this unit to function properly.

Connect the cables (included) to the Receiving Unit as shown in following diagram:

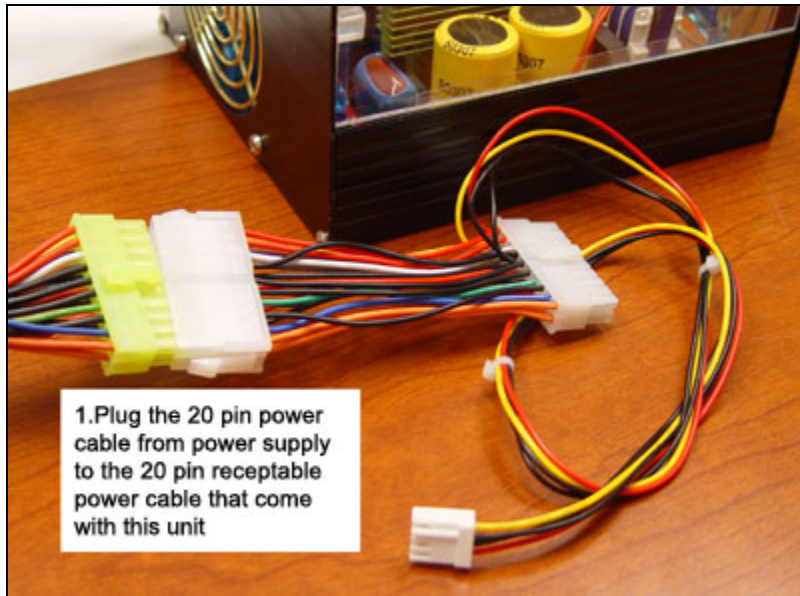


D. Cables included in the package:

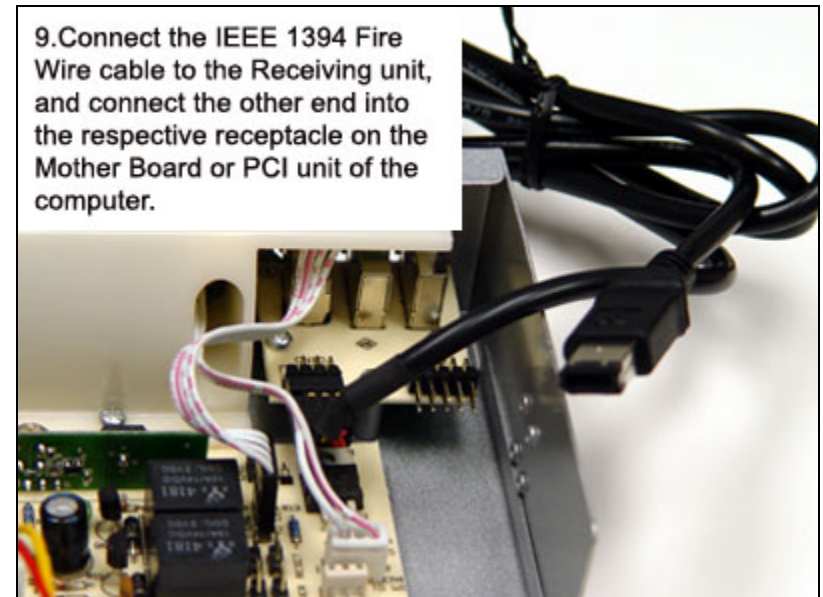
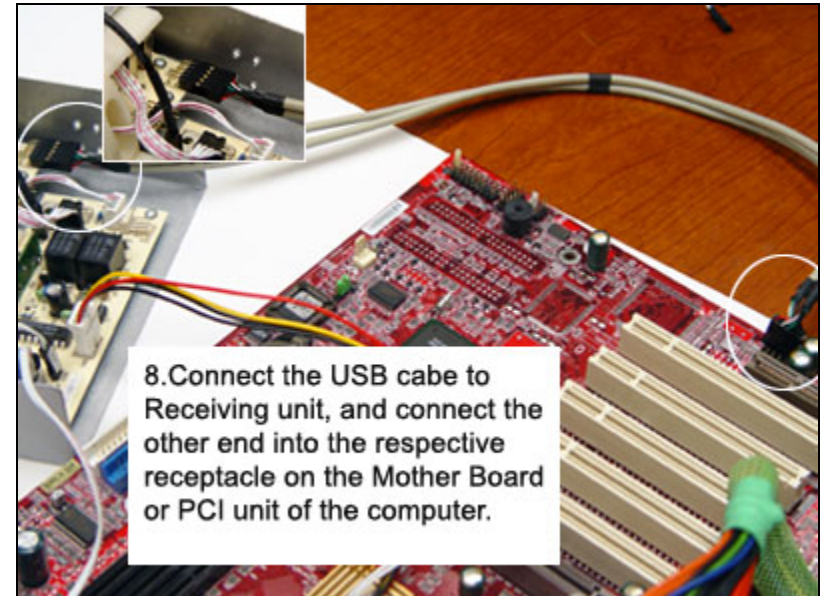
1. Power Supply Input Cord 1 pc.
2. Power On signal Cable 1 pc.
3. Reset Signal Cable 1 pc.
4. Temperature Sensor Cables 2 pcs.
5. USB Cable 1 pc.
6. IEEE1394 Fire Wire Cable 1 pc.
7. Receiving Antenna Cable 1 pc.
8. 80X25mm Fan supply cable 1 pc.
9. Power & Reset Extension Wire 1 pc.

To connect the main supply cable:

1. Plug the 20 pin power cable connector from the Power Supply of your computer to the 20 pin receptacle power cable that comes with this unit.



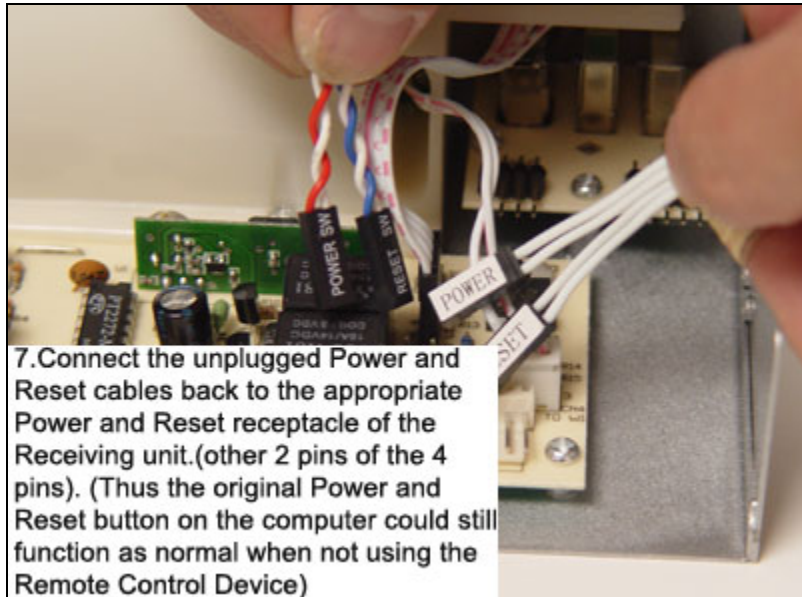
2. Plug the 20 pin power cable of this unit into the 20 pin power connector on the Mother Board of your computer.



D. Precautions

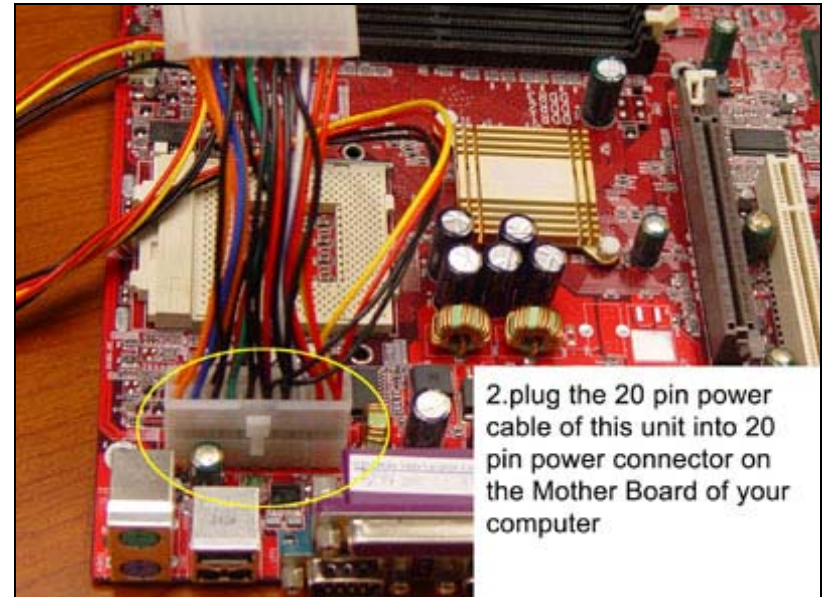
1. The Remote Transmitter and Receiver of this unit uses coded signal, and should not be mixed with other unit.

2. Connect the unplugged POWER and RESET cables back to the appropriate POWER and RESET receptacle of the Receiving unit. (other 2 pin of the 4 pins). (Thus the original POWER and RESET button on the computer could still function as normal when not using the Remote Control Device) (Use the Power & Reset extension wire if needed.)

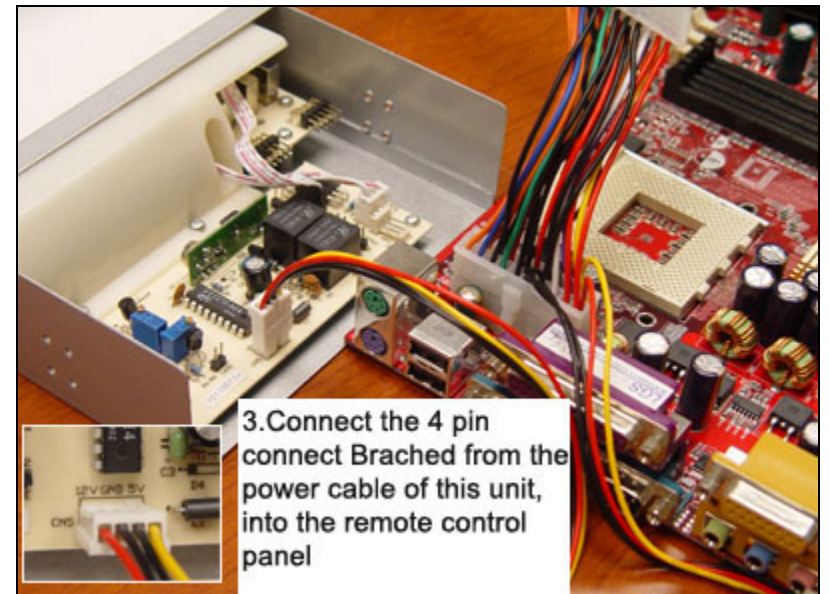


To Connect the USB and ,IEEE1394 Fire Wire cables::

1. Connect the USB and IEEE 1394 Fire Wire cable to the Receiving unit, and connect the other end into the respective receptacle on the Mother Board or PCI unit of the computer.

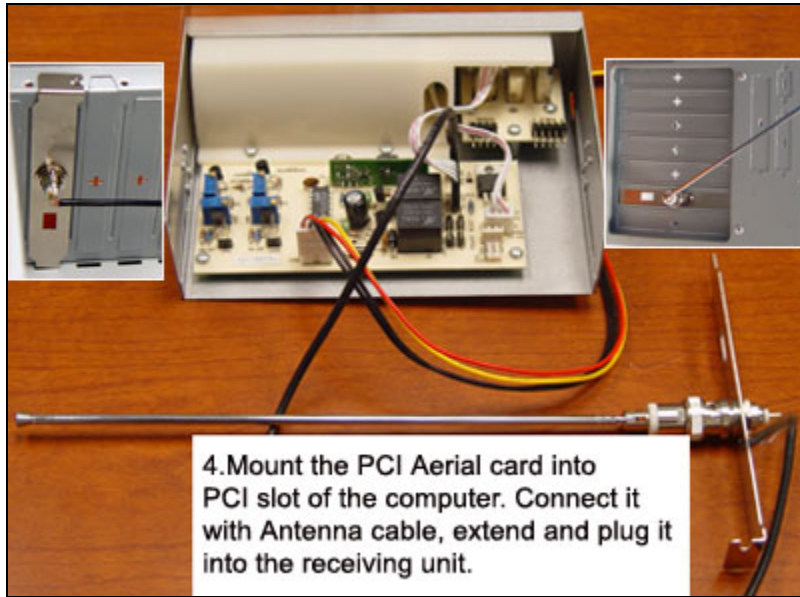


3. Connect the 4 pin connector branched from the power cable of this unit, into the remote control panel.



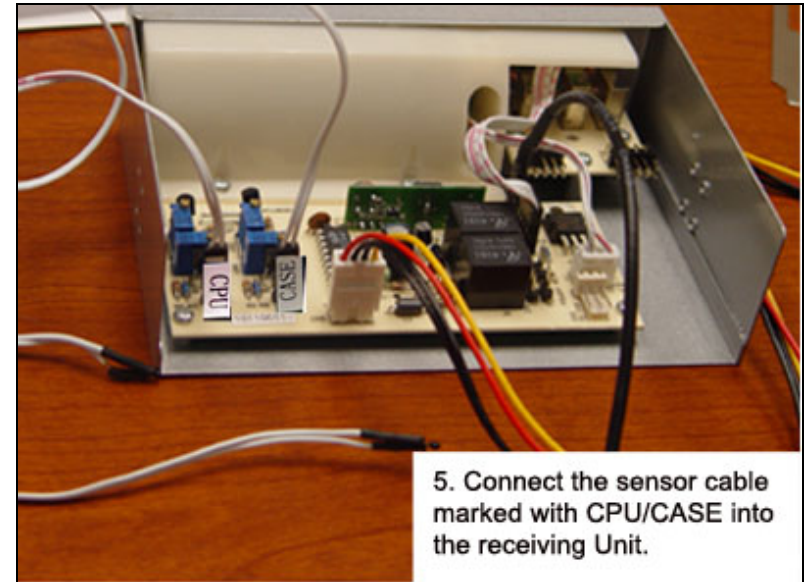
To Install the Receiving Antenna:

1. Mount the PCI Aerial Card into the PCI slot of the computer. Connect it with the Antenna cable, extend and plug it into the receiving unit.



To connect the Temperature Sensor:

1. Connect the sensor cable marked with CPU /CASE into the CPU/CASE receptacle of the Receiving Unit. The CPU Sensor should be attached to the CPU heat sink with heat paste. Case Sensor should be hung at the central area of the computer case.



To connect the POWER on signal cable, and the RESET cable:

1. First unplug from the mother board the POWER and RESET cable. Connect the Power on signal cable and the Reset cable come with this unit onto the mother board respectively, and connect the other end to the appropriate receptacle of the Receiving Unit using 2 pins of the 4 pins.

